

Colibrì

T

Emiliana Martinelli

colors



Typology Wall
Utilisation Indoor

230V 2x 10 W 1300 lm (2600lm)



direct light



indirect light

Direct/indirect light adjustable wall lamp. Painted aluminium structure. Diffuser is printed with polycarbonate. LED light source integrated. Electronic driver inside the base.

Award

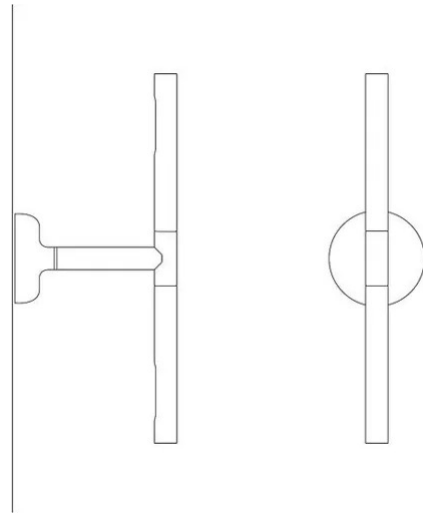




Family	Colibri
Typology	Wall
Utilisation	Indoor

Dimensions

Larghezza	41 cm
Profondità	18 cm
Diameter	2,5 - 12 (base) cm
Power supply cable length	0 cm
Weight	0.8 Kg



Materials

Structure	aluminium	Diffuser	polycarbonate
Base	aluminium		

Voltage	230V	2 X Watt	10 W
Power unit	Included	Lumen	1300 lm (2600 lm)
Mounting Power Supply	Internal	CRI	>80
Power supply	Electronic power supply	Duration	50000 h
Non dimmable		CCT	3000 K
		Energy class	F

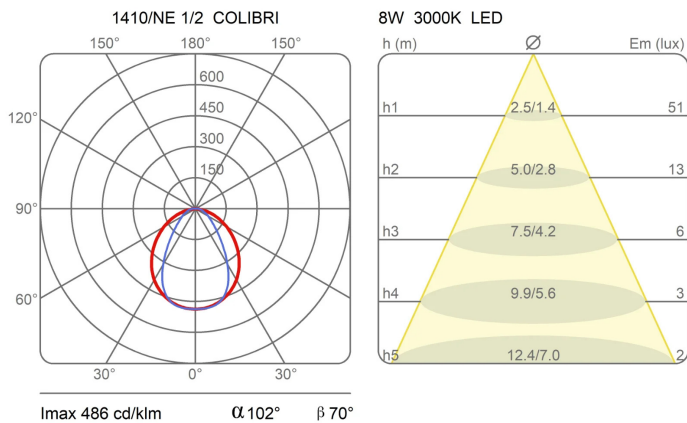
Certifications



EcoLabel

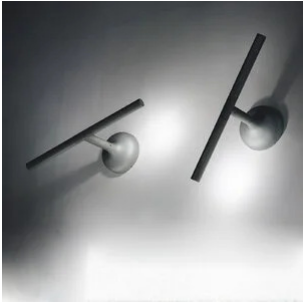


Photometric curves





Colour variant code



1410/B/NE



Black

1410/B/AU



Pearl Gold

Gallery

