

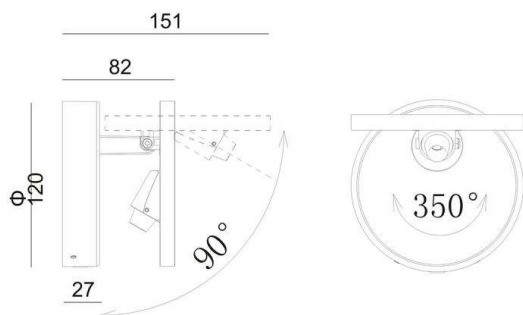
## CLARUS

276-0151090402706tr

CLARUS W SURFACE MOUNTED WALL LUMINAIRE made of aluminium, black matt, similar to RAL 9005, beam 40°, light output direct / indirect, swiveling 350°, tilting 90°, with converter, dimmability: not dimmable, IP20



## DRAWING



## LIGHT DISTRIBUTION CURVE

## TECHNICAL DETAILS

|                       |                   |
|-----------------------|-------------------|
| System perform. [W]   | 11                |
| Bulb type             | LED               |
| Luminous flux [lm]    | 365               |
| Colour temp. [K]      | 2700K             |
| CRI                   | >90               |
| Converter             | with converter    |
| Dimming               | not dimmable      |
| Light output          | direct / indirect |
| Beam angle [°]        | 40°               |
| Voltage [V]           | 220-240V 50/60Hz  |
| Material              | aluminium         |
| Height [mm]           | 82                |
| Diameter [mm]         | 120               |
| IP protection class   | IP20              |
| Voltage class         | protection cl. I  |
| Net weight [kg]       | 0,70              |
| Color lamp            | black matt        |
| RAL                   | 9005              |
| EAN-Number            | 9010506060010     |
| Lifetime [h]          | L80 B10 20 000    |
| Energy efficiency cl. | E                 |



The values are rated values. Power and luminous flux are initially subject to a tolerance of +/- 10%. Colour temperature tolerance: +/- 150 K. The values apply to an ambient temperature of 25°C unless otherwise specified.